



Kit Contents			
Pos	Description	Part No	Pcs
1	Shock absorber front	MIS 5100	2
2	Dust boot	10216-02	2
3	Plastic spring spacer	25602-01	2
4	Spring	47010-31	2
5	Elastic spacer	25601-01	2
6	Upper spring seat	24637-01	2
7	Top mount assy	25633-03	2
	Top mount bearing spacer		2
	Top mount		2
	Top nut		2
8	Nut M6		2
9	C-spanner	24639-01	1
10	C-spanner	24639-03	1
11	Öhlins sticker kit	10207-01	1
12	Öhlins owners manual	07451-01	1

Additional kit needed to fit Evolution IV-VI, purchased separately. Öhlins part number MIZ MI00S1			
13	Spacer plate	25654-01	4
14	ABS cord bracket RHS	25654-02	1
15	ABS cord bracket LHS	25654-03	1

👁 Note!

Please note that there can be small differences between your product and the images in these instructions.

👁 Note!

Please note that during storage and transport, especially at high ambient temperature, some of the oil and grease used for assembly may leak and stain the packaging. This will not cause damage to the product, wipe off the excessive oil or grease with a cloth.

👁 Note!

Before you install this product, check the kit contents. If anything is missing, please contact an Öhlins dealer.

⚠ Warning!

Before you install this product, read the Öhlins Owner's manual. This product is an important part of the vehicle and the vehicle stability.

Shock Absorber Kit for Mitsubishi Lancer Evolution IV-VI (CP9A) and Mitsubishi Lancer Evolution VII-IX (CT9A)

MIS MIO1S2 FRONT

Mounting Instructions



MOUNTING INSTRUCTIONS

⚠ Warning!

We strongly recommend to let an Öhlins dealer install this product.

⚠ Warning!

If you work with a lifted vehicle, make sure that it is safely supported to prevent it from tipping over.

👁 Note!

When you work with this product, see the vehicle service manual for vehicle specific procedures and important data.

👁 Note!

Before you install this product clean the vehicle.

1

Raise the vehicle and put it on jack stands.

⚠ Warning!

Ensure that it is securely supported.

2

Remove the front wheels.

3

Loosen the bolts for the lower strut attachments.

👋 Caution!

Support the wheel hubs in an appropriate way on each side of the vehicle so that the brake hose and/or drive shaft joint can not be damaged.

4

Loosen the upper attachment. Remove the original struts from the car.

5

Remove the brake hose brackets from the standard struts.

6

Cut the dust boot 25 mm from the lower end with a pair of scissors according to fig 2.

7

Fit the dust boot (2), the plastic spring spacer (3), the spring (4), the rubber spring spacer (5) and the upper spring seat (6) according to Fig 1. Install the top mount assembly (7)

Fig. 1

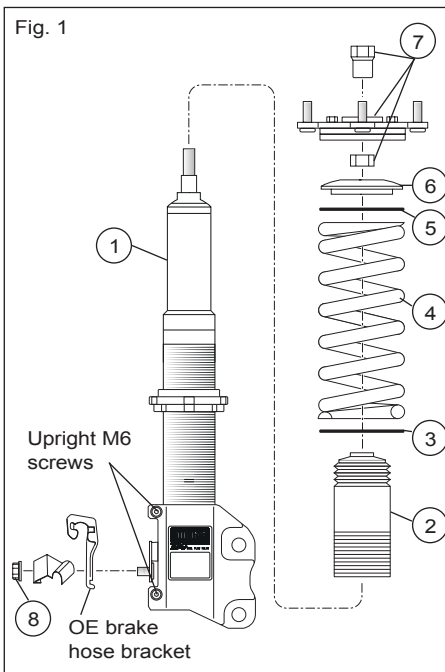
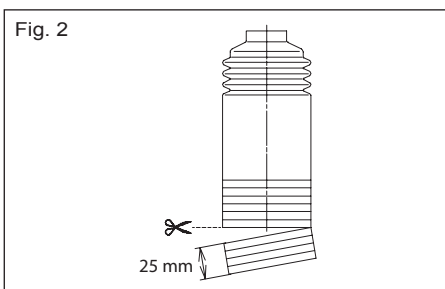


Fig. 2



👁 Note!

When tightening the top mount nut, the shock absorber shaft must be held in position with an Allen key.

by fitting the lower bearing spacer, the top mount and the top nut. Tighten the top nut to 35-40 Nm.

MOUNTING INSTRUCTIONS

Note!

When installing the kit on Mitsubishi Evo IV-VI, please note that there are additional parts and installation steps described in the MIZ M100S1 mounting instructions.

8

Mount the original brake hose brackets to the Öhlins struts according to fig 1. Tighten the nut to 6 Nm.

9

Set the spring preload by adjusting the spring preload adjuster according to Fig 3. Tighten the lock ring to 50-60 Nm.

10

Set the height adjuster position according to Fig 3 and tighten the upright M6 screws to 10-15 Nm.

11

Install the Öhlins McPherson struts on the vehicle.

12

Fasten the upper attachments.

13

Raise the wheel hub with a jack to remove the freeplay of the lower strut attachment bolts before tightening them.

Note!

Make sure that all bolts are tightened to the correct torque and that nothing fouls or restricts movement of the strut when it is being fully compressed or extended. Test this over the whole steering range from lock to lock.

14

Make sure that all removed parts are reinstalled in the same way as they were before the installation of the Öhlins shock absorber.

ADJUSTMENTS

⚠ Warning!

Before you ride/drive, always make sure that the setup is according to the recommended setup data. Read about adjustments and setting up in the Öhlins Owner's Manual before you make any adjustments. Contact an Öhlins dealer if you have any questions about setting up.

The standard preload is 2 mm from a free length of 200 mm, giving 198 mm installed length, see fig 3.

SETUP DATA

Recommended set-up

Rebound setting		
Track	2-7	clicks
Winding road	5-10	clicks
Street	10-20	clicks
Spring preload	2	mm

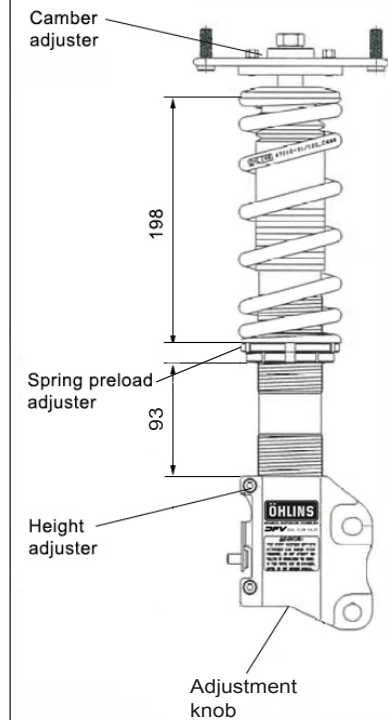
Recommended spring

47010-31 (100N/mm)

Vehicle height adjustment range

With both the spring preload and height adjustments in their recommended positions, the vehicle is lowered approximately 35 mm when compared to the original suspension. The spring preload adjustment range is 2-10 mm. Giving approximately 25-35 mm lower ride height of the car.

Fig. 3



⚠ Warning!

The adjustment range is the recommended position ± 10 mm. If the bracket is moved outside the adjustment range, it may come loose or the wheel might hit the wheel house. As the height adjuster is turned one rotation, the position moves 2.0 mm.

Öhlins products are subject to continuous improvement and development, therefore, although these instructions include the most up-to-date information available at the time of printing, minor updates may occur.

To find the latest information contact an Öhlins distributor. Please contact Öhlins if you have any questions regarding the contents in this document.

Part no. MI_MISM01S2_0
Issued 2022-06-14

© Öhlins Racing AB. All rights reserved. Any reprinting or unauthorized use without the written permission of Öhlins Racing AB is prohibited.

Öhlins Racing AB
Box 722
S-194 27 Upplands Väsby, Sweden
Phone +46 8 590 025 00
fax +46 8 590 025 80



www.ohlins.com



Kit Contents			
Pos	Description	Part No	Pcs
1	Shock absorber rear	MIS 6100	2
2	Dust boot	10216-01	2
3	Plastic spring spacer	25602-01	2
4	Spring	47010-23	2
5	Top mount assy	25633-04	2
	Bottom spacer		2
	Top mount		2
	Bearing spacer		2
	Top spacer		2
6	Top nut M10	24627-01	2
7	Adjustment knob	24631-04	2

👁 Note!

Please note that there can be small differences between your product and the images in these instructions.

👁 Note!

Please note that during storage and transport, especially at high ambient temperature, some of the oil and grease used for assembly may leak and stain the packaging. This will not cause damage to the product, wipe off the excessive oil or grease with a cloth.

👁 Note!

Before you install this product, check the kit contents. If anything is missing, please contact an Öhlins dealer.

⚠ Warning!

Before you install this product, read the Öhlins Owner's manual. This product is an important part of the vehicle and the vehicle stability.

Shock Absorber Kit for Mitsubishi Lancer Evolution IV-VI (CP9A) and Mitsubishi Lancer Evolution VII-IX (CT9A)

MIS M101S2 REAR

Mounting Instructions



MOUNTING INSTRUCTIONS

⚠ Warning!

We strongly recommend to let an Öhlins dealer install this product.

⚠ Warning!

If you work with a lifted vehicle, make sure that it is safely supported to prevent it from tipping over.

👁 Note!

When you work with this product, see the vehicle service manual for vehicle specific procedures and important data.

👁 Note!

Before you install this product clean the vehicle.

1

Raise the vehicle and put it on jack stands.

⚠ Warning!

Ensure that it is securely supported.

2

Remove the rear wheels.

3

Remove the lower and the upper attachments and remove the original shock absorbers.

4

Fit the dust boot (2), the plastic spring spacer (3) and the spring (4) according to Fig 1. Install the top mount assembly (5) by fitting the bottom spacer, the top mount, the bearing spacer and the top spacer. Fit the lock nut (6) and tighten to 20Nm. Install the adjustment knob (7) and tighten to 10 Nm.

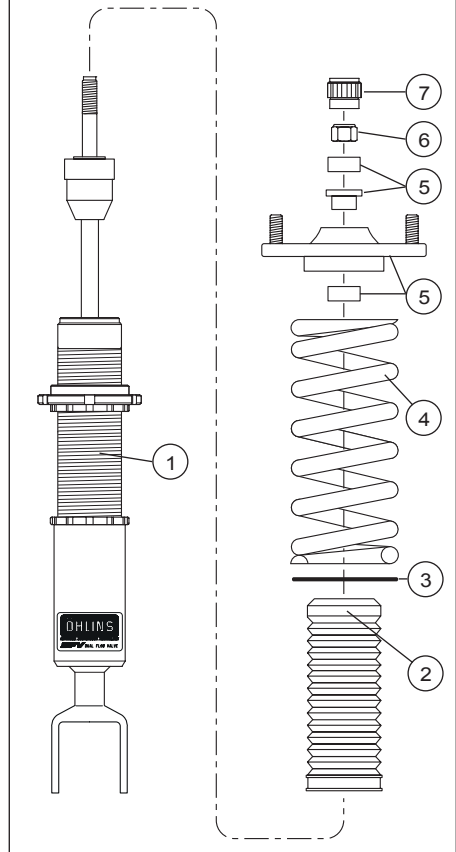
👁 Note!

When tightening the top mount nut, the shock absorber shaft must be held in position with an allen key

5

Set the spring preload by adjusting the spring preload adjuster according to Fig 2. Tighten the lock ring to 50-60Nm.

Fig. 1



6

Install the Öhlins shock absorbers on the vehicle.

7

Set the height adjuster position according to Fig 2. Tighten the lock ring to 50-60 Nm.

👁 Note!

Make sure that all bolts are tightened to the correct torque and that nothing fouls or restricts movement of the shock absorber when it is being fully compressed or extended.

8

Make sure that all removed parts are reinstalled in the same way as they were before the installation of the Öhlins shock absorber.

ADJUSTMENTS

⚠ Warning!

Before you ride/drive, always make sure that the setup is according to the recommended setup data. Read about adjustments and setting up in the Öhlins Owner's Manual before you make any adjustments. Contact an Öhlins dealer if you have any questions about setting up.

The standard preload is 2 mm from a free length of 200 mm, giving 198 mm installed length, see fig 2.

SETUP DATA

Recommended set-up

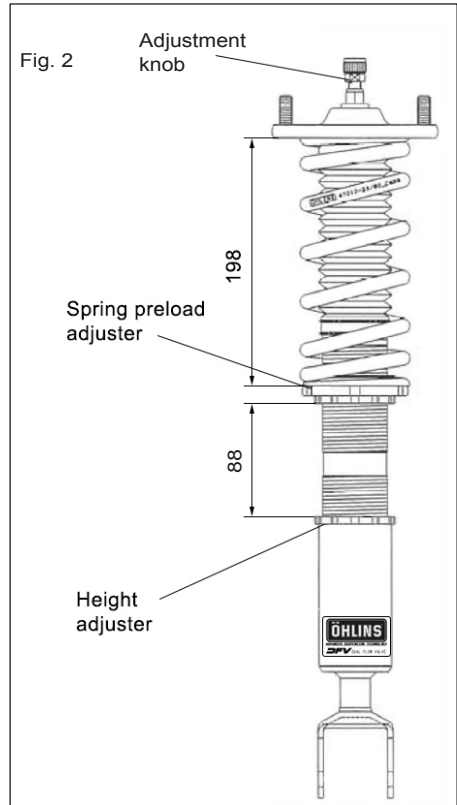
Rebound setting		
Track	2-7	clicks
Winding road	5-10	clicks
Street	10-20	clicks
Spring preload	2	mm

Recommended spring

47010-23 (80N/mm)

Vehicle height adjustment range

With both the spring preload and height adjustments in their recommended positions, the vehicle is lowered approximately 30 mm when compared to the original suspension. The spring preload adjustment range is 2-10 mm. Giving approximately 25-35 mm lower ride height of the car.



⚠ Warning!

The adjustment range for the height adjuster is the recommended position ± 15 mm. If the height adjustment is moved outside the adjustment range, it may come loose or the wheel may hit the wheel house.

Öhlins products are subject to continuous improvement and development, therefore, although these instructions include the most up-to-date information available at the time of printing, minor updates may occur.

To find the latest information contact an Öhlins distributor. Please contact Öhlins if you have any questions regarding the contents in this document.

Part no. MI_MISM01S2_0
Issued 2022-06-14

© Öhlins Racing AB. All rights reserved. Any reprinting or unauthorized use without the written permission of Öhlins Racing AB is prohibited.

Öhlins Racing AB
Box 722
S-194 27 Upplands Väsby, Sweden
Phone +46 8 590 025 00
fax +46 8 590 025 80



www.ohlins.com